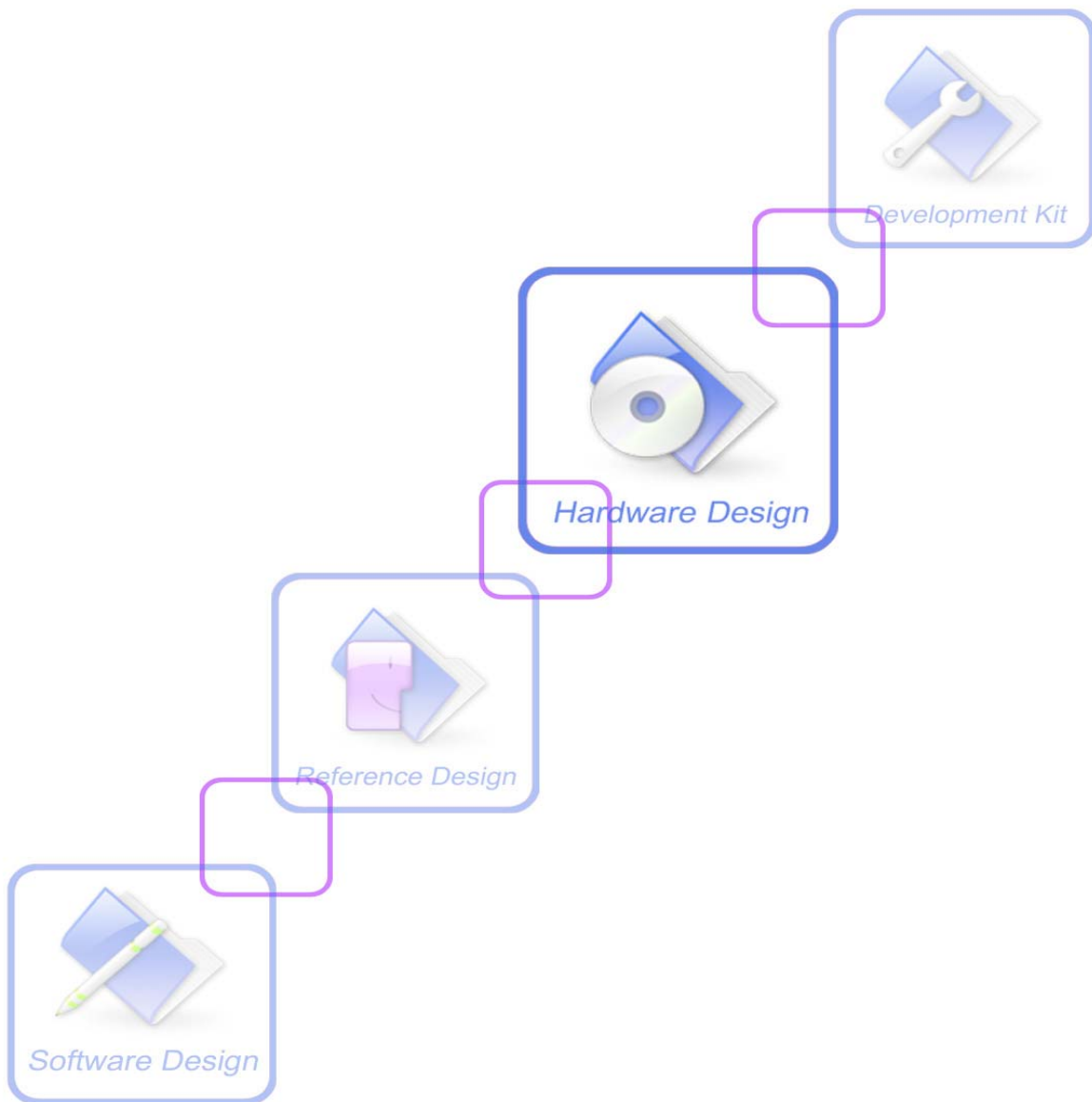




A company of SIM Tech

SIM28ML_Hardware Design_V1.01



Document Title	SIM28ML Hardware Design
Version	1.01
Date	2014-07-15
Status	Release
Document Control ID	SIM28ML_Hardware Design_V1.01

General Notes

SIMCom offers this information as a service to its customers, to support application and engineering efforts that use the products designed by SIMCom. The information provided is based upon requirements specifically provided to SIMCom by the customers. SIMCom has not undertaken any independent search for additional relevant information, including any information that may be in the customer's possession. Furthermore, system validation of this product designed by SIMCom within a larger electronic system remains the responsibility of the customer or the customer's system integrator. All specifications supplied herein are subject to change.

Copyright

This document contains proprietary technical information which is the property of SIMCom Limited, copying of this document and giving it to others and the using or communication of the contents thereof, are forbidden without express authority. Offenders are liable to the payment of damages. All rights reserved in the event of grant of a patent or the registration of a utility model or design. All specification supplied herein are subject to change without notice at any time.

Copyright © Shanghai SIMCom Wireless Solutions Ltd. 2014

Contents

Contents	3
Version History	7
1 Introduction	8
2 SIM28ML Overview	8
2.1 SIM28ML Functional Diagram.....	8
2.2 GPS Performance.....	9
2.3 General features.....	10
3 Package Information	11
3.1 Pin out Diagram.....	11
3.2 Pin Description.....	11
3.3 Package Dimensions.....	12
3.4 SIM28ML Recommended PCB Decal.....	13
4 Application Interface	14
4.1 Power Management.....	14
4.1.1 Power Input.....	14
4.1.2 Starting SIM28ML.....	14
4.1.3 Verification of SIM28ML Start.....	14
4.1.4 Power Saving Modes.....	14
4.1.5 Operating Mode.....	15
4.1.5.1 Full on Mode.....	15
4.1.5.2 Sleep Mode.....	15
4.1.5.3 Backup Mode.....	15
4.1.5.4 Periodic Mode.....	15
4.1.6 VCC_RF.....	16
4.1.7 ANTON.....	16
4.2 UART Interface.....	16
4.3 NRESET Input.....	17
4.4 TIMEMARK Output.....	17
4.5 A-GPS and DGPS.....	17
4.5.1 EPO.....	17
4.5.2 DGPS.....	17
4.6 GPS Antenna.....	18
4.6.1 Antenna Interface.....	18
4.6.2 Antenna Choice and RF Design Consideration.....	18
4.6.2.1 Passive Antenna.....	19
4.6.2.2 Active Antennas.....	20
5 Electrical, Reliability and Radio Characteristics	22
5.1 Absolute Maximum Ratings.....	22
5.2 Recommended Operating Conditions.....	22
5.3 Electro-Static Discharge.....	23
6 Manufacturing	24

6.1	Top and Bottom View of SIM28ML	24
6.2	Assembly and Soldering	24
6.3	Moisture sensitivity	25
6.4	ESD handling precautions	25
6.5	Shipment	26
7	Reference Design.....	26
Appendix	27
A.	Related Documents.....	27
B.	Terms and Abbreviations	27

SIMCOM CONFIDENTIAL FILE

Table Index

TABLE 1: GPS PERFORMANCE.....	9
TABLE 2: GENERAL FEATURES	10
TABLE 3: PIN DESCRIPTION	11
TABLE 4: POWER SUPPLY AND CLOCK STATE ACCORDING TO OPERATION MODE.....	15
TABLE 5: ANTON STATUS.....	16
TABLE 6: ANTENNA SPECIFICATIONS.....	18
TABLE 7: ABSOLUTE MAXIMUM RATINGS.....	22
TABLE 8: SIM28ML OPERATING CONDITIONS	22
TABLE 9: SIM28ML STANDARD IO FEATURES.....	22
TABLE 10: THE ESD CHARACTERISTICS (TEMPERATURE: 25°C, HUMIDITY: 45 %)	23
TABLE 11: MOISTURE CLASSIFICATION LEVEL AND FLOOR LIFE	25
TABLE 12: RELATED DOCUMENTS	27
TABLE 13: TERMS AND ABBREVIATIONS.....	27

SIMCOM CONFIDENTIAL FILE

Figure Index

FIGURE 1: SIM28ML FUNCTIONAL DIAGRAM.....	9
FIGURE 2: SIM28ML PIN OUT DIAGRAM (TOP VIEW)	11
FIGURE 3: SIM28ML MECHANICAL DIMENSIONS (UNIT: MM).....	12
FIGURE 4: RECOMMENDED PCB DECAL (TOP VIEW) (UNIT: MM).....	13
FIGURE 5: PERIODIC MODE.....	16
FIGURE 6: SIM28ML PASSIVE ANTENNA DESIGN.....	19
FIGURE 7: SIM28ML PASSIVE ANTENNA DESIGN (WITH EXTERNAL LNA AND SAW)	19
FIGURE 8: SIM28ML ACTIVE ANTENNA SIMPLIFIED DESIGN	20
FIGURE 9: SIM28ML ACTIVE ANTENNA POWER CONSUMPTION SAVING DESIGN	21
FIGURE 10: TOP AND BOTTOM VIEW OF SIM28ML	24
FIGURE 11: THE RAMP-SOAK-SPIKE REFLOW PROFILE OF SIM28ML	24
FIGURE 12: APPLICATION SCHEMATICS.....	26

SIMCOM CONFIDENTIAL FILE

Version History

Date	Version	Description of change	Author
2014-03-17	V1.00	Origin	Shengwu.Sun Xuegang.Wang
2014-07-15	V1.01	Modify the current consumption value	Chengbing.WU

SIMCOM CONFIDENTIAL FILE

1 Introduction

This document describes the hardware interface of the SIMCom module SIM28ML which can be used as a stand alone or A-GPS (Assisted Global Positioning System) receiver. As a wide range of applications can be integrated in SIM28ML, all functional components of SIM28ML are described in great detail.

2 SIM28ML Overview

SIM28ML is a stand-alone or A-GPS receiver. With built-in LNA, SIM28ML can relax antenna requirement and don't need for external LNA. SIM28ML can track as low as -165dBm signal even without network assistance. The SIM28ML has excellent low power consumption characteristic (acquisition 16mA, tracking 15mA). SIM28ML supports various location and navigation applications, including autonomous GPS, QZSS, SBAS ranging (WAAS, EGNOS, GAGAN, MSAS), RTCM and A-GPS.

Key Features

- GPS receiver, supports QZSS, SBAS ranging, supports WAAS/EGNOS/MSAS/GAGAN
- 22tracking/66 acquisition-channel, up to 210 PRN channels
- Small footprint: 10.1x 9.7 x 2.5mm, 18-pin LCC package
- 12 multi-tone active interference cancellers and jamming elimination
- Indoor and outdoor multi-path detection and compensation
- Max NMEA update rate up to 5 HZ
- Advanced software features
 1. EPO orbit prediction
 2. AlwaysLocate advanced location awareness technology
 3. supports logger function
 4. supports active interference cancellation (AIC)
- Pulse-per-second (PPS) GPS time reference
 1. Adjustable duty cycle
 2. typical accuracy: $\pm 10\text{ns}$
- Interface
 - UART0/UART1
- Operating temperature: $-40 \sim +85^{\circ}\text{C}$
- Accuracy 2.5m CEP
- RoHS compliant

The module provides complete signal processing from antenna input to host port in either NMEA messages. The module requires 2.8V~4.3V power supply. The host port is configurable to UART. Host data and I/O signal levels are 2.85V CMOS compatible.

2.1 SIM28ML Functional Diagram

The following figure shows a functional diagram of the SIM28ML and illustrates the mainly functional parts:

- The GPS chip
- SAW filter

- LNA
- The antenna interface
- The communication interface
- The control signals

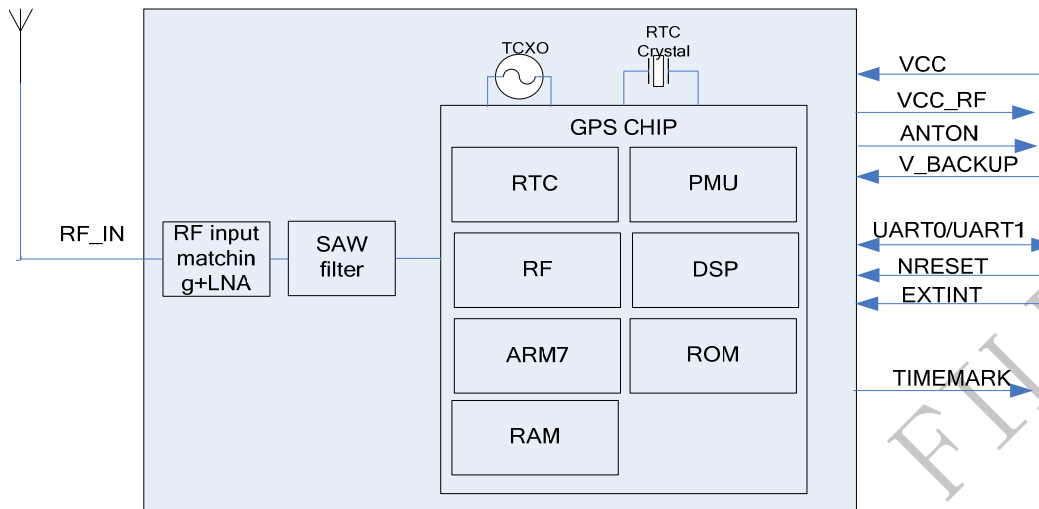


Figure 1: SIM28ML functional diagram

2.2 GPS Performance

Table 1: GPS performance

Parameter	Description	Performance			
		Min	Type	Max	Unit
Horizontal Position Accuracy(1)	Autonomous		<2.5		m
Velocity Accuracy(2)	Without Aid		0.1		m/s
	DGPS		0.05		m/s
Acceleration Accuracy	Without Aid		0.1		m/s ²
	DGPS		0.05		m/s ²
Timing Accuracy			10		ns
Dynamic Performance	Maximum Altitude			18000	m
	Maximum Velocity			515	m/s
	Maximum Acceleration			4	G
Time To First Fix ⁽³⁾	Hot start		<1		s
	Warm start		30		s
	Cold start		32		s
A-GPS TTFF(EPO mode)	Warm start		7		s
	Cold start		15		s
Sensitivity	Autonomous acquisition(cold start)		-148		dBm
	Autonomous		-160		dBm

	acquisition(hot start)				
	Re-acquisition		-160		dBm
	Tracking		-165		dBm
Receiver	Channels		22 tracing/66 acquisition		
	Update rate		1	5	Hz
	Tracking L1, CA Code				
	Protocol support NMEA,PMTK				
Power consumption ⁽⁴⁾	Acquisition		17		mA
	Continuous tracking		16		mA
	Sleep current		150		uA
	Backup current				

(1) 50% 24hr static, -130dBm

(2) 50% at 30m/s

(3) GPS signal level: -130dBm

(4) Single Power supply 3.3V@-130dBm

2.3 General features

Table 2: General features

Parameters		Value
Supply voltage VCC		+2.8V~4.3V
Supply voltage ripple VCC		54 mV(RMS) max @ f = 0~3MHz 15 mV(RMS) max @ f > 3 MHz
Power consumption(acquisition)		16mA type. @ VCC=3.3 V
Power consumption(sleep)		150uA type. @ VCC=3.3 V
Storage temperature		-40°C~+85°C
Operating temperature		-40°C~+85°C (note 1)
I/O signal levels	VIL	-0.3V~0.8V
	VIH	2.0V~3.3V
	VOL	-0.3V~0.4V
	VOH	2.4V~3.1V
I/O output sink/source capability		+/- 3mA max
I/O input leakage		+/- 10 uA max
Host port		UART0
Serial port protocol (UART)		NMEA; 8 bits, no parity, 1 stop bit; 9600 baud
TIMEMARK output (1PPS)		1 pulse per second, synchronized at rising edge, pulse length 100ms

Note 1: Operation in the temperature range -40°C~ -30°C is allowed but Time-to-First-Fix performance and tracking sensitivity may be degraded.

3 Package Information

3.1 Pin out Diagram

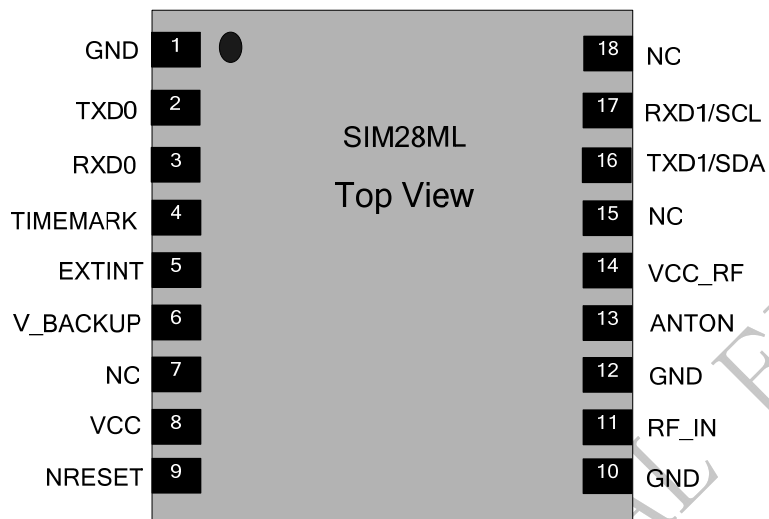


Figure 2: SIM28ML pin out diagram (Top view)

3.2 Pin Description

Table 3: Pin description

Pin name	Pin number	I/O	Description	Comment
Power supply				
VCC	8	I	Main power input, which will be used to power the baseband and RF section internally.	Provide clean and stable power source to this pin. Add a 4.7uF capacitor to this pin for decoupling.
ANTON	13	O	2.8V power output supply for active antenna or external LNA control pin for power save	If unused, keep open.
VCC_RF	14	O	Power supply for active antenna or external LNA	IF unused, keep open
V_BACKUP	6	I/O	The backup battery input power supply for RTC	If unused, keep open.
GND	1,10,12		Ground	GND
Host port interface				
TXD0	2	O	NMEA serial output	

RXD0	3	I	MMEA serial input	
TXD1/SDA	16	I/O	Serial output as RTCM	I2C communicate not supported yet
RXD1/SCL	17	I	Serial input as RTCM	
GPIOs				
TIMEMARK	4	O	Time Mark outputs timing pulse related to receiver time	If unused, keep open.
NRESET	9	I	Reset input, active low, default pull-up	If unused, keep open.
EXTINT	5	I	This interrupt source could act as wake up event during power saving mode.	Not supported yet, keep open.
RF interface				
RF_IN	11	I	Radio antenna connection	Impedence must be controlled to 50Ω.
Other interface				
NC	7,15,18		Not Connected	

3.3 Package Dimensions

Following figure shows the Mechanical dimensions of SIM28ML (top view, side view and bottom view).

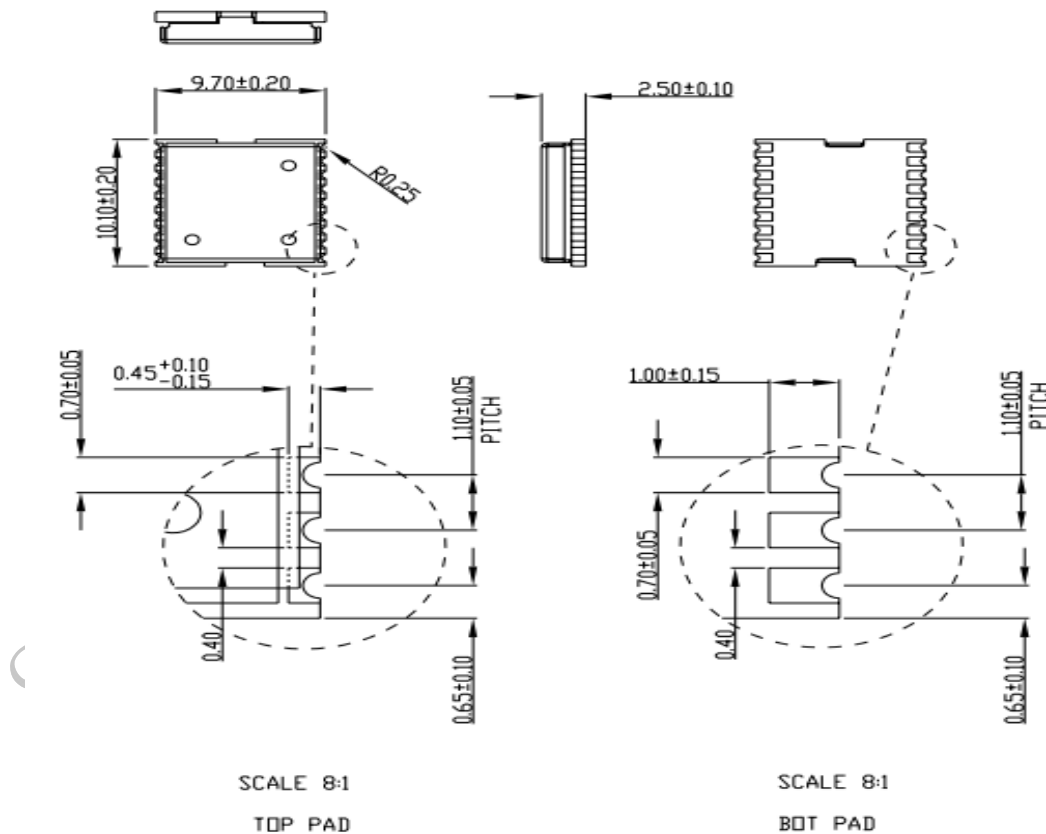


Figure 3: SIM28ML mechanical dimensions (Unit: mm)

3.4 SIM28ML Recommended PCB Decal

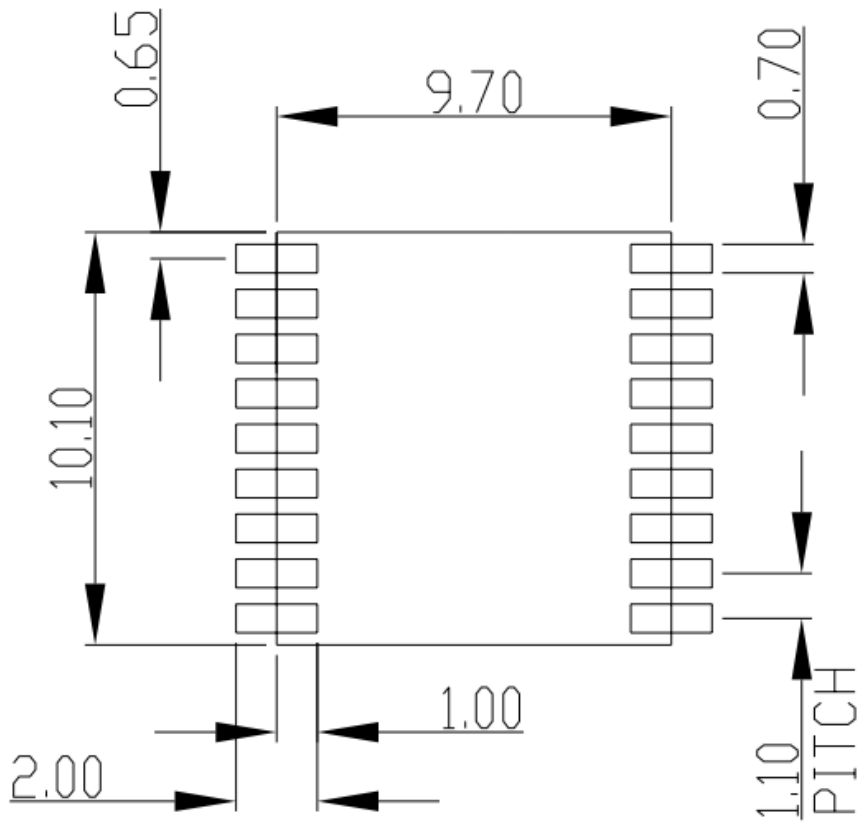


Figure 4: Recommended PCB decal (top view) (Unit: mm)

4 Application Interface

4.1 Power Management

4.1.1 Power Input

The power supply range of SIM28ML is from 2.8V to 4.3V. The power supply should be able to provide sufficient current up to 100mA.

The power supply range of V_BACKUP is from 2V to 4.3V, typical 3.0V, suggest customer keep the V_BACKUP supply active all the time, the module will perform a quick start every time it is power-on.

4.1.2 Starting SIM28ML

When power is first applied, SIM28ML goes into operation mode.

4.1.3 Verification of SIM28ML Start

System activity indication depends upon the chosen serial interface:

- When it is activated, SIM28ML will output messages at the selected UART speed and message types.

4.1.4 Power Saving Modes

SIM28ML supports operating modes for reduced average power consumption like standby mode, backup mode, periodic mode, and AlwaysLocate™ mode.

- **Sleep mode:** In this mode the receiver stays at full on power state. When this mode that can be wake up by the host sends the command through the communication interface.
- **Backup mode:** In this mode the SIM28ML must be supplied by the V_BACKUP pin and the VCC power should be cut off. The module could not achieve this mode through PMTK commands.
- **Periodic mode:** In this mode the SIM28ML enters tracking and sleep mode according to the interval configured.
- **AlwaysLocate™ mode:** AlwaysLocate™ is an intelligent controller of SIM28ML periodic mode. Depending on the environment and motion conditions, SIM28ML can adaptive adjust the on/off time to achieve balance of positioning accuracy and power consumption.

Note: the modes mentioned above are operated by PMTK commands, users can refer to document [1] for more information.

SIM28ML provides very low leakage battery back up memory, which contains all the necessary GPS information for quick start up and a small amount of user configuration variables. It needs a 3V power supply for V_BACKUP pin.

4.1.5 Operating Mode

Table 4: Power supply and clock state according to operation mode

Mode	VCC	V_BACKUP	Internal LDO	Main clock	RTC clock
Full on	on	on	on	on	on
Sleep	on	on	on	off	on
Backup	off	on	off	off	on

4.1.5.1 Full on Mode

The module will enter full on mode after first power up with factory configuration settings. Power consumption will vary depending on the amount of satellite acquisitions and number of satellites in track.

4.1.5.2 Sleep Mode

Sleep mode means a low quiescent (150uA type.) power state, non-volatile RTC, and backup RAM block is powered on. Other internal blocks like digital baseband and RF are internally powered off. The power supply input VCC shall be kept active all the time, even during sleep mode.

Entering into sleep mode is sent PMTK command through the communication interface by host side.

Waking up from sleep mode is sent any byte through the communication interface by host side.

4.1.5.3 Backup Mode

This connects to the backup power of the module. Power source (such as battery or cap) connected to V_BACKUP pin will help the chipset in keeping its internal RTC running when the VCC power source is turned off. The voltage should be kept between 2.0~4.3V, Typical 3.0V.

The V_BACKUP power should be kept active all the time, the module will perform a quick start every time it is power-on.

4.1.5.4 Periodic Mode

In this mode the SIM28ML enters tracking and sleep mode according to the interval configured by users in the commands.

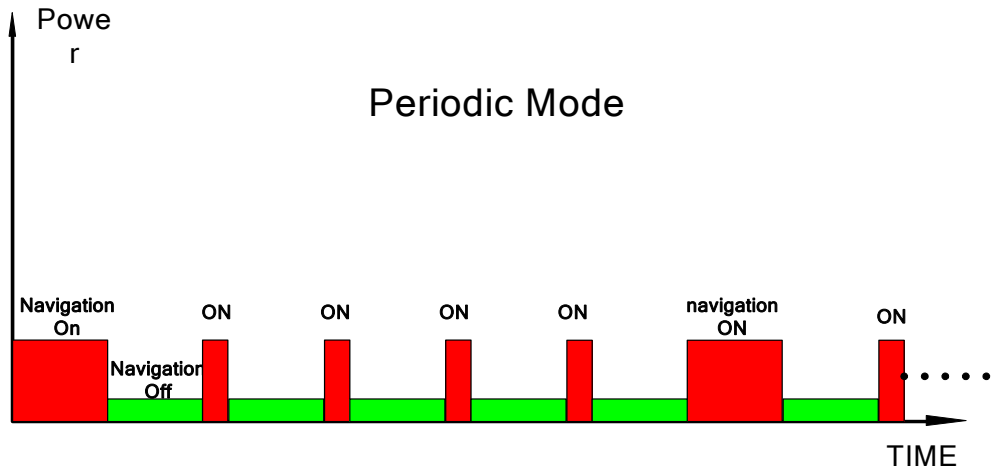


Figure 5: Periodic Mode

4.1.6 VCC_RF

Power supply for active antenna or external LNA, the power domain is VCC

4.1.7 ANTON

2.8V power output for active antenna or external LNA control pin for power save. See the following table for details.

Table 5: ANTON Status

Mode	ANTON
Full on	2.8V power output
Sleep	no power output
Backup	no power output

4.2 UART Interface

SIM28ML includes two UART (UART0 and UART1) interface for serial communication. The UART0 is as NEMA output and PMTK command input. The receiver (RXD0) and transmitter (TXD0) side of every port contains a 16-byte FIFO and has 256 bytes URAM. UART can provide the developers signal or message outputs. The baud rate is 9600 kbps. UART1 is as RTCM input.

Note: the UART1 can also used to be as I2C port for NMEA communication, this function is not supported yet.

4.3 NRESET Input

The NRESET pin (active low) is used to reset the system, normally external control of NRESET is not necessary. The signal can be left floating, if not used.

When NRESET signal is used, it will force volatile RAM data loss. Note that Non-Volatile backup RAM content is not cleared and thus fast TTFF is possible. The input has internal pull up.

4.4 TIMEMARK Output

The TIMEMARK pin outputs one pulse-per-second (1PPS) pulse signal for precise timing purposes. The TIMEMARK signal can be provided through designated output pin for many external applications. This pulse is not only limited to be active every second but also allowed to set the required duration, frequency, and active high/low by programming user-defined settings.

4.5 A-GPS and DGPS

A-GPS is the meaning of Assisted GPS, which is a system that can improve the startup performance, and time-to-first-fix (TTFF) of a GPS satellite-based positioning under certain conditions . SIM28ML module supports EPO file, SBAS, RTCM.

4.5.1 EPO

The SIM28ML supports the EPO (Extended Prediction Orbit) data service. The EPO data service is supporting 6 hours orbit predictions to customers. It needs occasional download from EPO server. Supply of aiding information like ephemeris, almanac, rough last position and time and satellite status and an optional time synchronization signal will reduce time to first fix significantly and improve the acquisition sensitivity.

The user should update the EPO files from the EPO server daily through the internet. Then the EPO data should send to the SIM28ML by the HOST side. SIM28ML has the short cold TTFF and warm TTFF, when the A-GPS is used.

Note: For more information about EPO, please contact SIMCom sales. users can refer to document [2] for more information

4.5.2 DGPS

SBAS is the abbreviation of Satellite Based Augmentation System. The SBAS concept is based on the transmission of differential corrections and integrity messages for navigation satellites that are within sight of a network of reference stations deployed across an entire continent. SBAS messages are broadcast via geostationary satellites able to cover vast areas.

Several countries have implemented their own satellite-based augmentation system. Europe has the European Geostationary Navigation Overlay Service (EGNOS) which covers Western Europe and beyond. The USA has its Wide Area Augmentation System (WAAS). Japan is covered by its Multi-functional Satellite Augmentation System (MSAS). India has launched its own SBAS program named GPS and GEO Augmented Navigation (GAGAN) to cover the Indian subcontinent.

SIM28ML module supports SBAS and RTCM, but only one mode can be applied at one time, and SBAS is the

default feature, customers who want to apply RTCM in the design can contact SIMCom sales for supporting

4.6 GPS Antenna

The antenna is a critical item for successful GPS reception in a weak signal environment. Proper choice of the antenna will ensure that satellites at all elevations can be seen, and therefore, accurate fix measurements are obtained.

It is recommended to use an active GPS antenna. In a typical application, SIM28ML with an active antenna can get a tracking sensitivity about 3dB better than SIM28ML with a passive antenna.

It is suggested the active antenna should be chosen as following:

Table 6: Antenna Specifications

Parameter	Specification	
Passive Antenna Recommendations	Frequency range	1575±3MHz
	Polarization	RHCP & Linear
	Gain	> 0dBi
	VSWR	< 2
Active Antenna Recommendations	Frequency range	1575±3MHz
	Polarization	RHCP & Linear
	VSWR	< 2
	Noise Figure	< 1.5dB
	Gain	> 20dBi (Max40dBi)

4.6.1 Antenna Interface

The SIM28ML receives L1 band signals from GPS satellites at a nominal frequency of 1575.42 MHz. The RF signal is connected to the RF_IN pin. And the trace from RF_IN to antenna should be 50Ω controlled.

To suit the physical design of individual applications the RF interface pad can lead to two alternatives:

- Recommended approach: solderable RF coaxial cable assembly antenna connector, such as HRS' U.FL-R-SMT(10) connector or I-PEX's 20279-001E-01 RF connector.
- SMA connector.

4.6.2 Antenna Choice and RF Design Consideration

To obtain excellent GPS reception performance, a good antenna will always be required. The RF circuits should also be designed properly based on the type of antenna.

4.6.2.1 Passive Antenna

Passive antenna contains only the radiating element, e.g. the ceramic patch, the helix structure, and chipantennas. Sometimes it also contains a passive matching network to match the electrical connection to 50 Ohms impedance.

The most common antenna type for GPS applications is the patch antenna. Patch antennas are flat, generally have a ceramic and metal body and are mounted on a metal base plate.

Figure 6 shows a minimal setup for a GPS receiver with SIM28ML module.

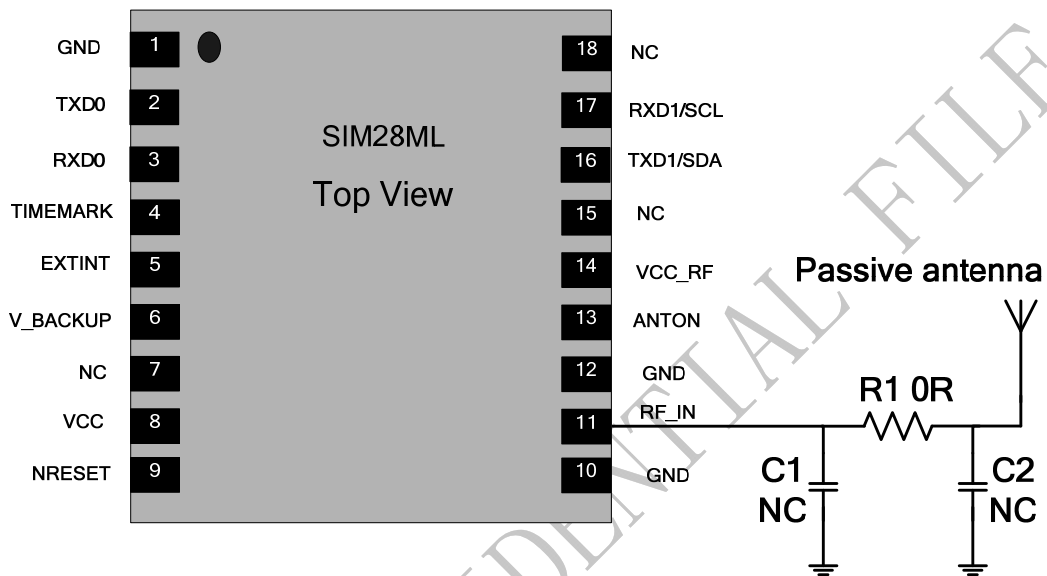


Figure 6: SIM28ML passive antenna design

For best performance with passive antenna designs user can use an external LNA to increase the sensitivity up 3~4 dB. Please see Figure 7.

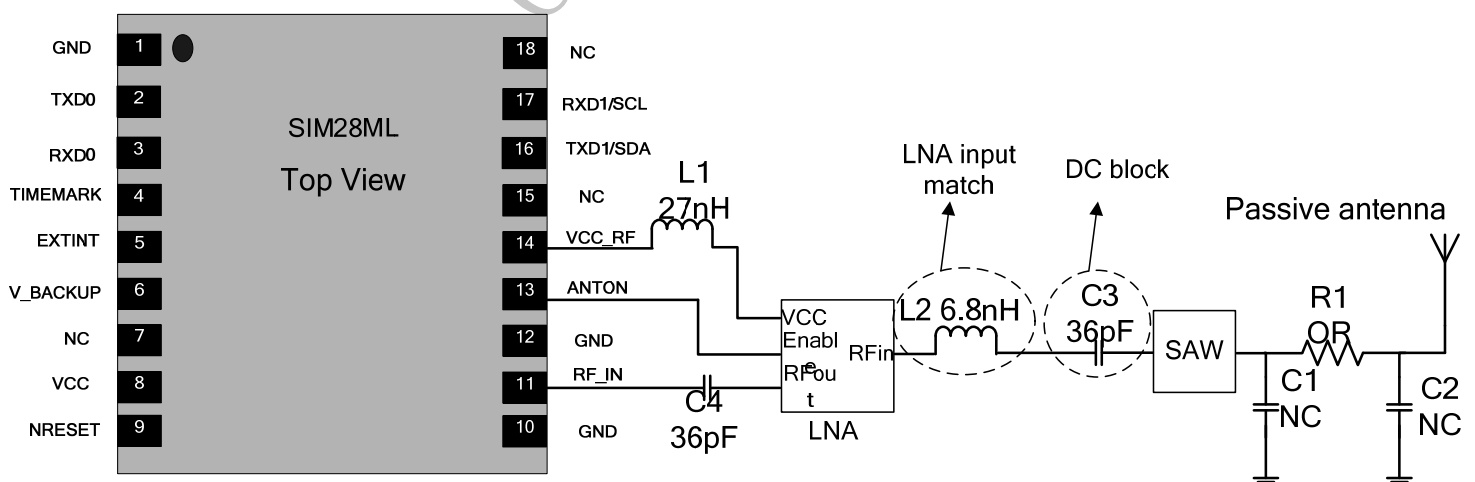


Figure 7: SIM28ML passive antenna design (with external LNA and SAW)

4.6.2.2 Active Antennas

Active antennas have an integrated Low-Noise Amplifier (LNA). Active antennas need a power supply that will contribute to GPS system power consumption.

- Usually Pin 14 VCC_RF is directly used for the active antenna power input, as shown in Figure 8. The voltage range is from 2.8V to 4.3V, typical value is 3.3V, and the max driver current is 50mA. If the VCC_RF voltage does not meet the requirements for powering the active antenna, an external LDO should be used. The inductor L1 is used to prevent the RF signal from leaking into the VCC_RF pin and route the bias supply to the active antenna, the recommended value of L1 is no less than 27nH. R2 can protect the whole circuit in case the active antenna is shorted to ground.

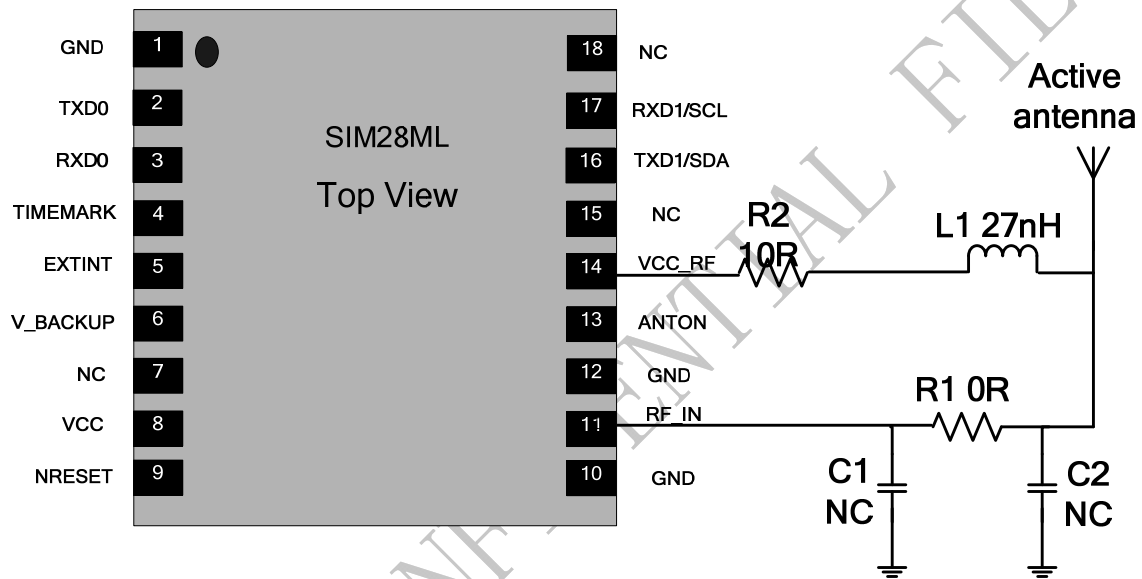


Figure 8: SIM28ML Active antenna simplified design

- SIM28ML can also reduce power consumption by controlling the power supply of active antenna by pin 13 ANTON as shown in Figure 9. ANTON is an optional pin which can be used to control the power supply of the active antenna or the enable pin of an external LNA. When SIM28ML module enters the standby mode, the ANTON pin will be pulled down, MOSFET Q1 and Q2 are in high impedance state and the power supply for antenna is cut off. In normal mode, the voltage value of ANTON is about 2.8V, it will make Q1 and Q2 in the on-state, VCC_RF will provide power supply for the active antenna. If not used, please keep ANTON pin open. For minimizing the current consumption, the value of resistor R2 should not be too small, and the recommended value is 10k ohm.

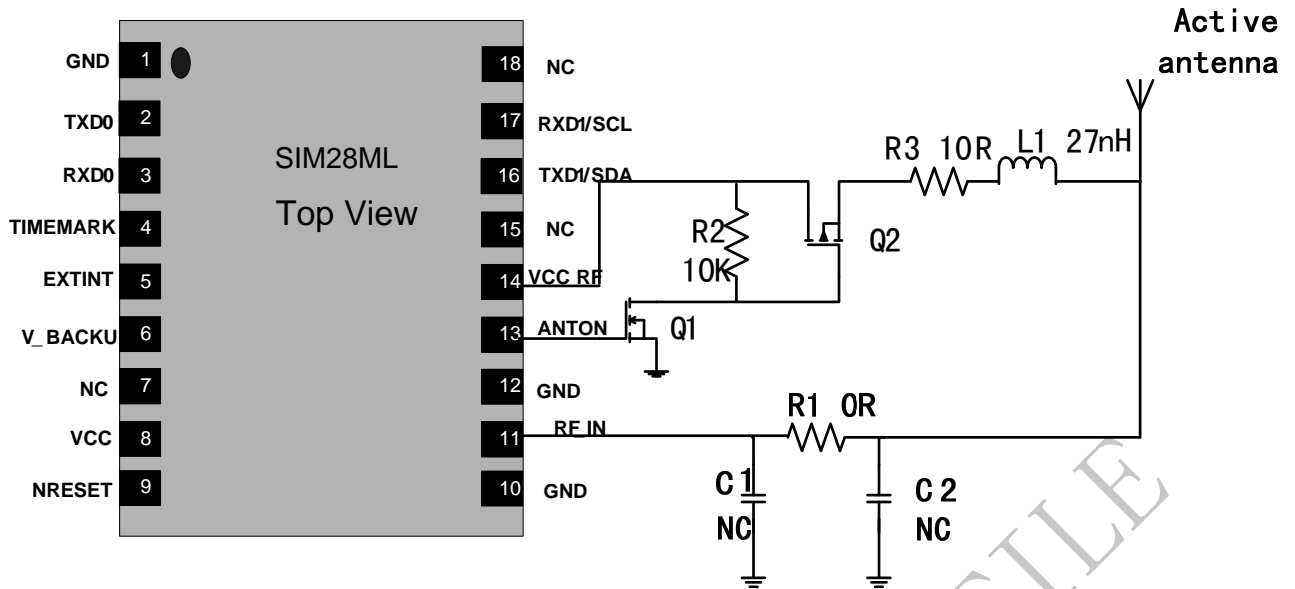


Figure 9: SIM28ML Active antenna power consumption saving design

If the customer’s design is for automotive applications, then an active antenna can be used and located on top of the car in order to guarantee the best signal quality.

GPS antenna choice should base on the designing product and other conditions. For detailed Antenna designing consideration, please refer to related antenna vendor’s design recommendation. The antenna vendor will offer further technical support and tune their antenna characteristic to achieve successful GPS reception performance depending on the customer’s design.

5 Electrical, Reliability and Radio Characteristics

5.1 Absolute Maximum Ratings

The absolute maximum ratings stated in Table 7 are stress ratings under non-operating conditions. Stresses beyond any of these limits will cause permanent damage to SIM28ML.

Table 7: Absolute maximum ratings

Parameter	Min	Max	Unit
VCC	-	4.3	V
VCC_RF		VCC	V
ANTON		+2.9	V
Input Power at RF_IN	-	-12	dBm
V_BACKUP	-	4.3	V
I/O pin voltage	-	3.6	V
Storage temperature	-45	+125	°C
Operating Temperature	-40	+85	°C

5.2 Recommended Operating Conditions

Table 8: SIM28ML operating conditions

Parameter	Symbol	Min	Typ	Max	Unit
Operating temperature range		-40	+25	+85	°C
Main supply voltage	VCC	2.8	3.3	4.3	V
Backup battery voltage	V_BACKUP	2	3	4.3	V

Table 9: SIM28ML standard IO features

Parameter	Symbol	Min	Typ	Max	Unit
Low level output voltage Test conditions IOL = 2mA and 4.0mA	V _{OL}	-0.3		0.40	V
High level output voltage Test conditions IOL = 2mA and 4.0mA	V _{OH}	2.4		3.1	V
Low level input voltage	V _{IL}	-0.3		0.8	V
High level input voltage	V _{IH}	2.0		3.6	V
Input Pull-up resistance	R _{PU}	40		190	K Ω
Input Pull-down resistance	R _{PD}	40		190	K Ω
Input capacitance	C _{IN}		5		pF
Load capacitance	C _{load}			8	pF
Tri-state leakage current	I _{OZ}	-10		10	uA

5.3 Electro-Static Discharge

The GPS engine is not protected against Electrostatic Discharge (ESD) in general. Therefore, it is subject to ESD handling precautions that typically apply to ESD sensitive components. Proper ESD handling and packaging procedures must be applied throughout the processing, handling and operation of any application using a SIM28ML module. The ESD test results are shown in the following table.

Table 10: The ESD characteristics (Temperature: 25°C, Humidity: 45 %)

Pin	Contact discharge	Air discharge
VCC	±5KV	±10KV
RF_IN	±5KV	±10KV
V_BACKUP	±5KV	±10KV
ANTON	±5KV	±10KV
VCC_RF	±5KV	±10KV
GND	±5KV	±10KV
RXD0, TXD0	±4KV	±8KV
NRESET	±4KV	±8KV
TIMEMARK	±4KV	±8KV

SIMCOM CONFIDENTIAL

6 Manufacturing

6.1 Top and Bottom View of SIM28ML

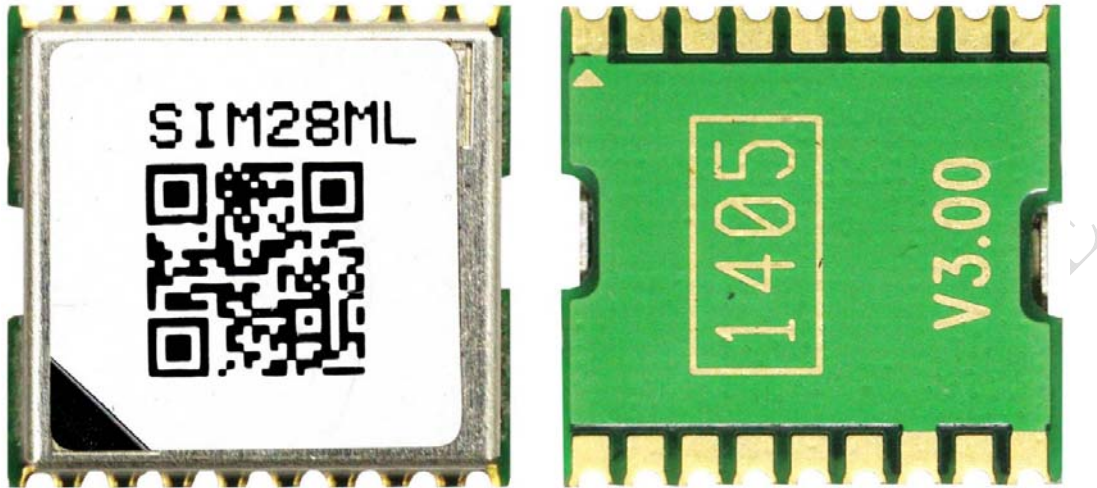


Figure 10: Top and bottom view of SIM28ML

6.2 Assembly and Soldering

The SIM28ML module is intended for SMT assembly and soldering in a Pb-free reflow process on the top side of the PCB. Suggested solder paste stencil height is 150um minimum to ensure sufficient solder volume. If required paste mask pad openings can be increased to ensure proper soldering and solder wetting over pads.

The following figure is the Ramp-Soak-Spike Reflow Profile of SIM28ML:

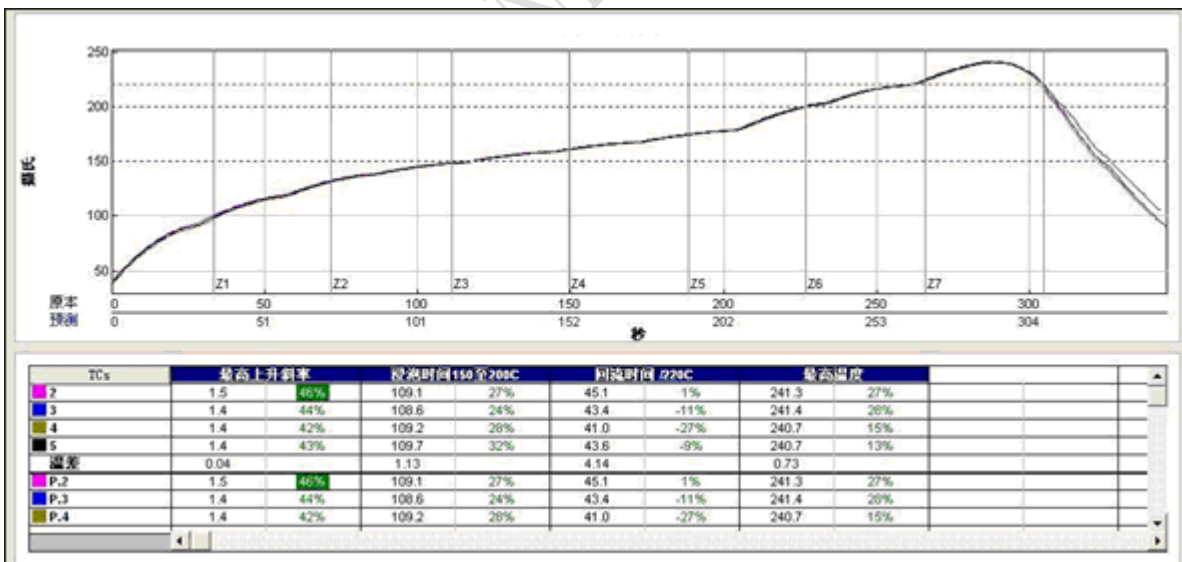


Figure 11: The Ramp-Soak-Spike reflow profile of SIM28ML

SIM28ML is Moisture Sensitive Devices (MSD), appropriate MSD handling instruction and precautions are summarized in Chapter 6.3.

SIM28ML modules are also Electrostatic Sensitive Devices (ESD), handling SIM28ML modules without proper ESD protection may destroy or damage them permanently.

Avoid ultrasonic exposure due to internal crystal and SAW components.

6.3 Moisture sensitivity

SIM28ML module is moisture sensitive at MSL level 3, dry packed according to IPC/JEDEC specification J-STD-020C. The calculated shelf life for dry packed SMD packages is a minimum of 6 months from the bag seal date, when stored in a non condensing atmospheric environment of <math><40^{\circ}\text{C}/90\% \text{RH}</math>.

Table 11 lists floor life for different MSL levels in the IPC/JDEC specification:

Table 11: Moisture Classification Level and Floor Life

Level	Floor Life(out of bag)at factory ambient $\cong +30^{\circ}\text{C}/60\% \text{RH}$ or as stated
1	Unlimited at $\cong +30^{\circ}\text{C}/85\% \text{RH}$
2	1 year
2a	4 weeks
3	168 hours
4	72 hours
5	48 hours
5a	24 hours
6	Mandatory bake before use. After bake, module must be reflowed within the time limit specified on the label.

Factory floor life is 1 week for MSL 3, SIM28ML must be processed and soldered within the time. If this time is exceeded, the devices need to be pre-baked before the reflow solder process.

Both encapsulate and substrate materials absorb moisture. IPC/JEDEC specification J-STD-020 must be observed to prevent cracking and delamination associated with the "popcorn" effect during reflow soldering. The popcorn effect can be described as miniature explosions of evaporating moisture. Baking before processing is required in the following case:

- Floor life or environmental requirements after opening the seal have been exceeded, e.g. exposure to excessive seasonal humidity.

Refer to Section 4 of IPC/JEDEC J-STD-033 for recommended baking procedures.

Notes: Oxidation Risk: Baking SMD packages may cause oxidation and/or inter metallic growth of the terminations, which if excessive can result in solder ability problems during board assembly. The temperature and time for baking SMD packages are therefore limited by solder ability considerations. The cumulative bake time at a temperature greater than 90°C and up to 125°C shall not exceed 96 hours.

6.4 ESD handling precautions

SIM28ML modules are Electrostatic Sensitive Devices (ESD). Observe precautions for handling! Failure to observe these precautions can result in severe damage to the GPS receiver!



GPS receivers are Electrostatic Sensitive Devices (ESD) and require special precautions when handling. Particular care must be exercised when handling patch antennas, due to the risk of electrostatic charges. In addition to

standard ESD safety practices, the following measures should be taken into account whenever handling the receiver:

Unless there is a galvanic coupling between the local GND (i.e. the work Table) and the PCB GND, then the first point of contact when handling the PCB shall always be between the local GND and PCB GND.

Before mounting an antenna patch, connect ground of the device

When handling the RF pin, do not come into contact with any charged capacitors and be careful when contacting materials that can develop charges (e.g. patch antenna ~10pF, coax cable ~50-80pF/m, soldering iron, ...)

To prevent electrostatic discharge through the RF input, do not touch the mounted patch antenna.

When soldering RF connectors and patch antennas to the receiver's RF pin, the user must make sure to use an ESD safe soldering iron (tip).

6.5 Shipment

SIM28ML is designed and packaged to be processed in an automatic assembly line, and it is now packaged tray and reel.

7 Reference Design

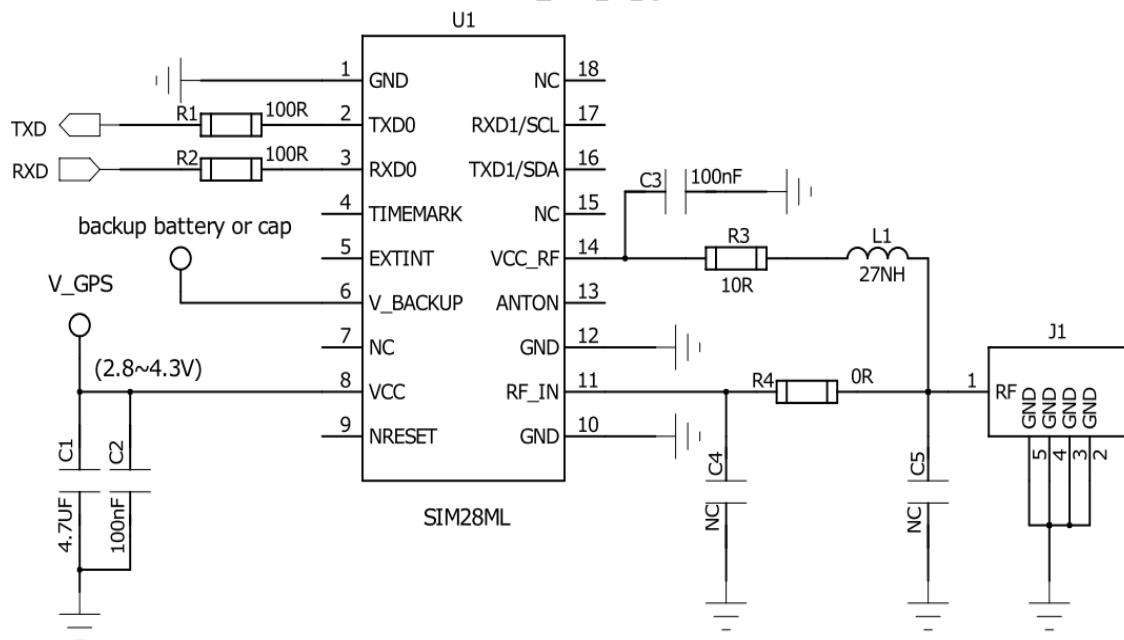


Figure 12: Application schematics

Appendix

A. Related Documents

Table 12: Related documents

SN	Document name	Remark
[1]	MT3339 Platform NMEA Message Specification_V1.00	
[2]	EPO-II_Format_Protocol_Customer	EPO-II_Format and Protocol

B. Terms and Abbreviations

Table 13: Terms and abbreviations

Abbreviation	Description
A-GPS	Assisted Global Positioning System
CMOS	Complementary Metal Oxide Semiconductor
CEP	Circular Error Probable
DGPS	Difference Global Positioning System
EEPROM	Electrically Erasable Programmable Read Only Memory
EPO	Extended Prediction Orbit
ESD	Electrostatic Sensitive Devices
EASY	Embedded Assist System
EGNOS	European Geostationary Navigation Overlay Service
GPS	Global Positioning System
GAGAN	The GPS Aided Geo Augmented Navigation
I/O	Input/Output
IC	Integrated Circuit
Inorm	Normal Current
Imax	Maximum Load Current
kbps	Kilo bits per second
MSL	moisture sensitive level
MSAS	Multi-Functional Satellite Augmentation System
NMEA	National Marine Electronics Association
PRN	Pseudo Random Noise Code
QZSS	Quasi-Zenith Satellites System
SBAS	Satellite Based Augmentation Systems
WAAS	Wide Area Augmentation System

Contact us:

Shanghai SIMCom Wireless Solutions Ltd.

Add: SIM Technology Building, No.633, Jinzhong Road, Changning District, Shanghai P.R. China
200335

Tel: +86 21 3235 3300

Fax: +86 21 3235 3301

URL: www.sim.com/wm

SIMCOM CONFIDENTIAL FILE